

Roomis 1.0 使用手冊

FCC Statement



This device complies with part 15 FCC rules. Operation is subject to the following two conditions :

- This device may not cause harmful interference.
- This device must accept any interference received including interference that may cause undesired operation.

This equipment has been tested and found to comply with the limits for a class "a" digital device, pursuant to part 15 of the FCC rules. These limits are designed to provide reasonable protection against harmful interference when the equipment is operated in a commercial environment. This equipment generates, uses, and can radiate radio frequency energy and, if not installed and used in accordance with the instruction manual, may cause harmful interference to radio communications. Operation of this equipment in a residential area is likely to cause harmful interference in which case the user will be required to correct the interference at his own expense.

Copyright Notice 版權宣告

ALL RIGHTS RESERVED. No part of this document may be reproduced, copied, translated, or transmitted in any form or by any means, electronic or mechanical, for any purpose, without the prior written permission of the original manufacturer.

Trademark Acknowledgement 商標

Brand and product names are trademarks or registered trademarks of their respective owners.

Disclaimer 備註

We reserve the right to make changes, without notice, to any product, including circuits and/or software described or contained in this manual in order to improve design and/or performance. We assume no responsibility or liability for the use of the described product(s), conveys no license or title under any patent, copyright, or masks work rights to these products, and makes no representations or warranties that these products are free from patent, copyright, or mask work right infringement, unless otherwise specified. Applications that are described in this manual are for illustration purposes only. We make no representation or warranty that such application will be suitable for the specified use without further testing or modification.

Warranty 產品保障

We warrant that each of its products will be free from material and workmanship defects for a period of one year from the invoice date. If the customer discovers a defect, We will, at its option, repair or replace the defective product at no charge to the customer, provided it is returned during the warranty period of one year, with transportation charges prepaid. The returned product must be properly packaged in it's original packaging to obtain warranty service.

If the serial number and the product shipping data differ by over 30 days, the in-warranty service will be made according to the shipping date. In the serial numbers the third and fourth two digits give the year of manufacture, and the fifth digit means the month (e. g., with A for October, B for November and C for December).

For example, the serial number 1W07Axxxxxxx means June of year 2009.

配件

Before using this Access Control System PC, please make sure that all the items listed below are present in your package

Model name: Roomis 1.0

Operation System and Accessories List:

- 1 x 多功能門禁資訊顯示終端機
- 1 x 多功能門禁資訊顯示終端機簡易使用手冊
- 1 x 驅動程式光碟
- 1 x DI/DO 控制軟體光碟
- 1 x 外接式電源供應器
- 1 x 外接式電源供應器轉接線
- 壁掛架及專用螺絲 (Option)

Make sure that all of the items listed above are present. Do not attempt to apply power to the system if there is damage to any of its components.

Customer Service 客戶服務

We provide service guide for any problem as follow steps. The first, contact with your distributor, sales representative, or our customer service center for technical support if you need additional assistance. You may have the following information ready before you call :

- Product serial number
- Peripheral attachments
- Software (OS, version, application software, etc.)
- Description of complete problem
- The exact wording of any error messages

In addition, free technical support is available from our engineers every business day. We are always ready to give advice on application requirements or specific information on the installation and operation of any of our products. Please do not hesitate to call or e-mail us.

Roomis Tech Ltd. 糯米有限公司

Address : B1F., No.49-1, Sec.2, Heping E. Rd., Daan Dist., Taipei City 106, Taiwan

106 台北市大安區和平東路二段 49-1 號 B1

TEL : +886-2-2701-1700

FAX : +886-2-2701-9100

Notice 注意事項

1. 不要使用尖銳或堅硬的物體觸碰液晶面板表面
2. 請勿使用清潔劑、蠟或溶劑清洗，只能使用乾燥或潮濕的軟布。
3. 只使用高品質，安全認證，AC/ DC 電源轉換器。

安全警語

◆ Warning!



當您使用產品時，電源線必須與中隔板完全地分開，電子元件很可能被突然的浪湧電源所破壞。只有專業的電子人員才可打開後蓋，進行產品檢修。

Revision History

Rev	Date	Note	Author
1.0	Feb. 10, 2011		

目錄

Chapter 1	產品規格	8
Chapter 2	產品功能及機構尺寸介紹.....	10
2.1	產品功能介紹.....	11
2.2	機構尺寸介紹.....	12
Chapter 3	軟體操作	13
3.1	系統安裝	14
3.2	驅動程式安裝.....	15
Chapter 4	軟體 SDK 簡易說明	16

產品規格

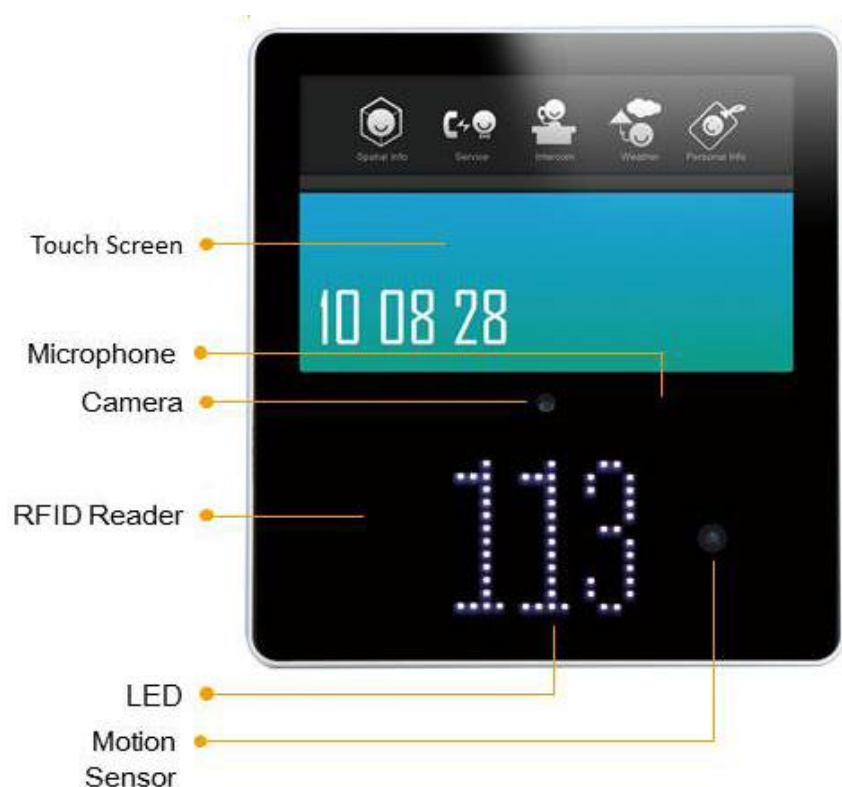
CHAPTER 1

1.1 技術規格

液晶面板規格	
尺寸	7 吋 LED 背光面板
解析度	800 × 480
亮度	320 nit
對比	400 : 1
可視角	-70 度~70 度(水平)； -50 度~60 度(垂直)
觸控螢幕規格	
感應原理	電容式觸控螢幕
主機板規格	
尺寸	3.5 吋 I931 SBC
晶片組	Intel US15WP 晶片組
BIOS	Award 4Mbit Flash
處理器	Intel Z530 1.6GHz 處理器
記憶體	1xSO-DIMM DDR2 400/533(預載 1G，最大支援 2GB)
網路	Gigabit 乙太網路卡
顯示 / 音效	內建
存儲裝置	1xPATA SSD 插槽(預載 4GB，最大可擴充至 128GB)
看門狗	256 層
系統輸出連接裝置	
攝影機	2 百萬像素超薄型相機模組
麥克風	相機模組內搭載數位麥克風
Mifare 晶片卡讀卡機	13.56MHz，最大讀取範圍 50mm
Digital I/O	2xDI，2xDO 埠
乙太網路/區域網路	2xRJ45 網路插孔
USB 埠	1xUSB Type-A 插座
12V DC 輸入功率	1x12V DC IN(可鎖定，2.5 ϕ 電源插孔)
耗電量	36 瓦
操作溫度	攝氏 0 度~40 度
作業系統	Windows XP Embedded (選購)

產品功能及機構尺寸介紹

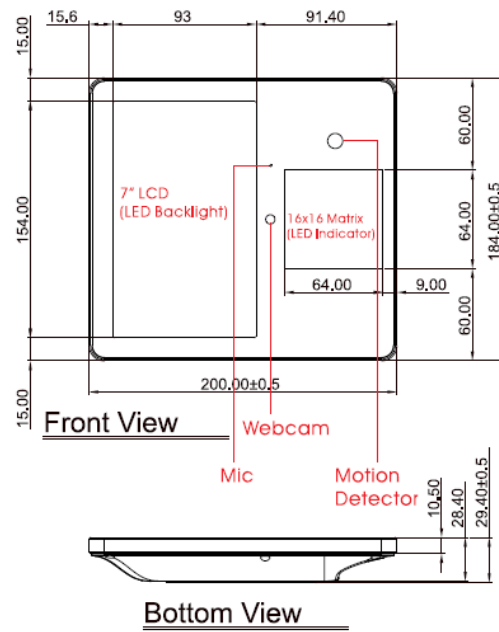
2.1 產品功能介紹



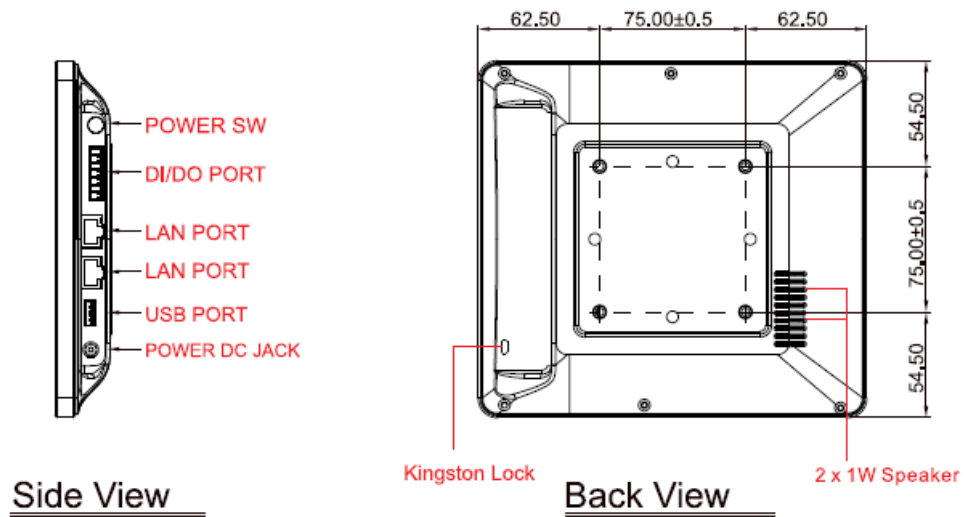
- 7" LED 背光模組液晶面板
- 1.3 M 薄型相機模組
- 16 x 16 矩陣式 LED 可程式化警示燈
- 數位輸入/輸出 模組 (可控制電子鎖)
- 2 x 1Watt 喇叭
- Mifare Card Reader 無線射頻辨別系統
Mifare ISO-14443A
- Motion Detect 移動感測器
50 ~ 100cm sensing distance

機構尺寸介紹

Front View



Rear View



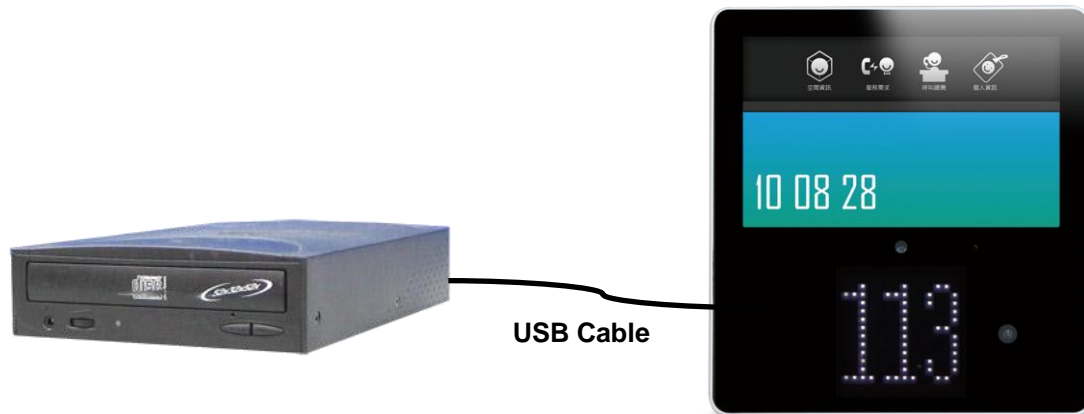
軟體操作

CHAPTER 3

3.1 PC & O/S 安裝

1. 接上隨貨附之 AC/DC adapter 並將 AC 電源線接至 AC 端
2. 開機後馬上 “DEL” 鍵以進行 CMOS 及確認 BIOS 設定
3. 若未從本公司購買作業系統，此時將需要進行作業系統之安裝

當安裝作業系統於門禁管理系統時，請先確認以下步驟並使用外接鍵盤及滑鼠



3.2 驅動程式安裝

若未從本公司購買作業系統，在完成作業系統之安裝後，請安裝隨貨附之驅動程式光碟，其內容包含所有本系統所需之驅動程式及軟體。

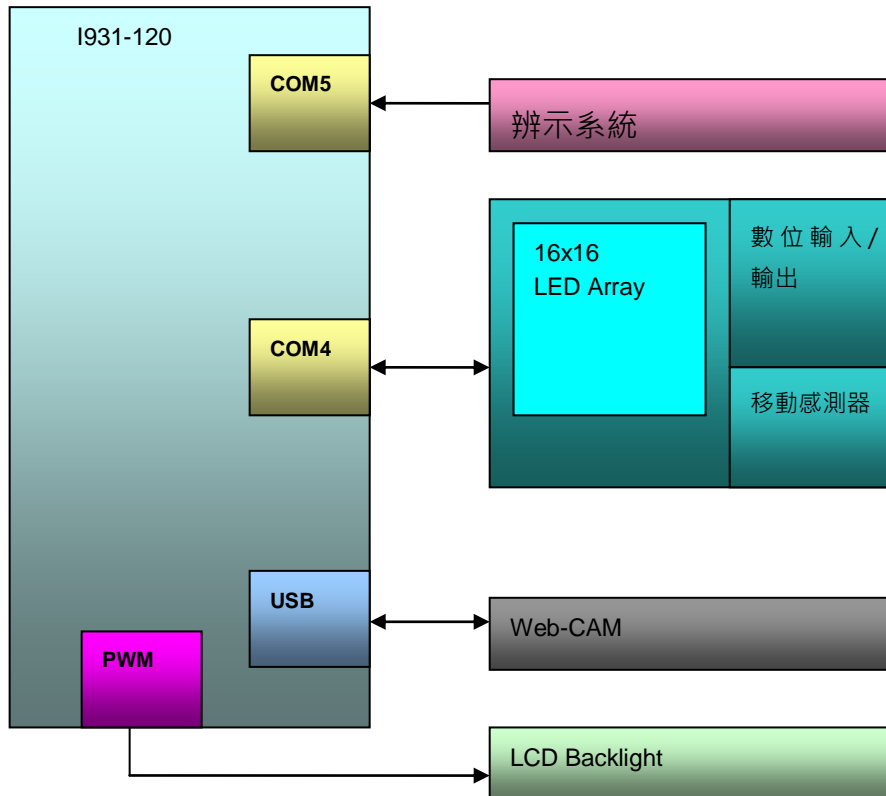
請依照以下步驟安裝驅動程式 Chipset, VGA, Audio, Ethernet and Touch then UI.

軟體 SDK 簡易說明

CHAPTER

4

4 Roomis 1.0 系統軟體系統方塊圖



Devices	SDK / Document
Motion sensor	LEDM ModBus Protocol
DI/DO	LEDM ModBus Protocol
16x16 LED Array	1. LEDM ModBus Protocol** 2. LED data example.
WebCAM	Windows DirectX and Winmate Source code.
LCD backlight Control	1. AP: Winmate source code reference 2. Driver installed ***

*COM5 with Baud rate 9600 ,8N1 and giving a ASCII string

** COM4 with Baud rate 9600,8N1.

*** Must install driver ,only for Win 7. XPE/XP no require to install.